

# JET

**JWBS-14Q**

**WOODWORKING BANDSAW**

Original:

**GB**

**Operating Instructions**

Translations:

**D**

**Gebrauchsanleitung**

**F**

**Mode d'emploi**



**Walter Meier (Fertigung) AG**

Bahnstrasse 24

8603 Schwerzenbach

Switzerland

Phone +41 44 806 47 48

Fax +41 44 806 47 58

[jetinfo.eu@waltermeier.com](mailto:jetinfo.eu@waltermeier.com)

[www.jettools.com](http://www.jettools.com)



M-10000855M

2010-03

# CE-Conformity Declaration

Product: Woodworking Band Saw

**JWBS-14Q**

**Stock Number: 10000855M**

Brand: JET

Manufacturer:

Walter Meier (Fertigung) AG, Bahnstrasse 24, 8603 Schwerzenbach, Switzerland

On our own responsibility we hereby declare that this product complies  
with the regulations

- \* 2006/42/EC Machinery Directive
- \* 2004/108/EC EMC Directive (Electro Magnetic Compatibility)
- \* 2006/95/EC Low Voltage Directive
- \* 2002/95/EC RoHS Directive (Reduction of Hazardous Substances)

designed in consideration of the standards

\*\* EN 1807

CE type examination

\*\*\* 091227

performed by

\*\*\*\* Fachausschuss Holz Prüf- und Zertifizierungsstelle im BG-PRÜFZERT,  
Vollmoellerstraße 11, D-70563 Stuttgart

Technical file compiled by: Bruno Bergmann, Product Management



2010-03-30 Carl Müller, General Manager

Walter Meier (Fertigung) AG, Bahnstrasse 24, 8603 Schwerzenbach, Switzerland

# GB - ENGLISH

## Operating Instructions

Dear Customer,

Many thanks for the confidence you have shown in us with the purchase of your new JET-machine. This manual has been prepared for the owner and operators of a **JET JWBS-14Q band saw** to promote safety during installation, operation and maintenance procedures. Please read and understand the information contained in these operating instructions and the accompanying documents. To obtain maximum life and efficiency from your machine, and to use the machine safely, read this manual thoroughly and follow instructions carefully.

### ...Table of Contents

#### 1. Declaration of conformity

#### 2. Warranty

#### 2. JET Warranty

#### 3. Safety

Authorized use

General safety notes

Remaining hazards

#### 4. Machine specifications

Technical data

Noise emission

Dust emission

Contents of delivery

#### 5. Transport and start up

Transport and installation

Assembly

Mains connection

Dust connection

Starting operation

#### 6. Machine operation

#### 7. Setup and adjustments

Changing the saw blade

Blade tracking adjustment

Blade tension adjustment

Blade guide adjustment

Folding the bandsaw blade

#### 8. Maintenance and inspection

#### 9. Troubleshooting

#### 10. Environmental protection

#### 11. Available accessories

#### 12. „Safe operation“ ..... appendix A

### 1. Declaration of conformity

On our own responsibility we hereby declare that this product complies with the regulations\* listed on page 2. Designed in consideration with the standards\*\*. CE type examination\*\*\* performed by\*\*\*\*.

### 2. Warranty

The Seller guarantees that the supplied product is free from material defects and manufacturing faults. This warranty does not cover any defects which are caused, either directly or indirectly, by incorrect use, carelessness, accidental damage, repair, inadequate maintenance or cleaning and normal wear and tear.

Guarantee and/or warranty claims must be made within twelve months from the date of purchase (date of invoice). Any further claims shall be excluded.

This warranty includes all guarantee obligations of the Seller and replaces all previous declarations and agreements concerning warranties.

The warranty period is valid for eight hours of daily use. If this is exceeded, the warranty period shall be reduced in proportion to the excess use, but to no less than three months.

Returning rejected goods requires the prior express consent of the Seller and is at the Buyer's risk and expense.

Further warranty details can be found in the General Terms and Conditions (GTC). The GTC can be viewed at [www.jettools.com](http://www.jettools.com) or can be sent by post upon request.

The Seller reserves the right to make changes to the product and accessories at any time.

### 3. Safety

#### 3.1 Authorized use

This machine is designed for sawing wood, wood derived materials as well as similar to be machined hard plastics only.

Machining of other materials is not permitted and may be carried out in specific cases only after consulting with the manufacturer.

No metal workpieces may be machined.

The workpiece must allow to safely be loaded, supported and guided.

The proper use also includes compliance with the operating and maintenance instructions given in this manual.

The machine must be operated only by persons familiar with its operation and maintenance and who are familiar with its hazards.

The required minimum age must be observed

The machine must only be used in a technically perfect condition

When working on the machine, all safety mechanisms and covers must be mounted.

In addition to the safety requirements contained in these operating instructions and your country's applicable regulations, you should observe the generally recognized technical rules concerning the operation of woodworking machines.

Any other use exceeds authorization. In the event of unauthorized use of the machine, the manufacturer renounces all liability and the responsibility is transferred exclusively to the operator.

### 3.2 General safety notes

Woodworking machines can be dangerous if not used properly. Therefore the appropriate general technical rules as well as the following notes must be observed.

Read and understand the entire instruction manual before attempting assembly or operation.

Keep this operating instruction close by the machine, protected from dirt and humidity, and pass it over to the new owner if you part with the tool.

No changes to the machine may be made.

Daily inspect the function and existence of the safety appliances before you start the machine.

Do not attempt operation in this case, protect the machine by unplugging the mains cord.

Remove all loose clothing and confine long hair.

Before operating the machine, remove tie, rings, watches, other jewellery, and roll up sleeves above the elbows.

Wear safety shoes; never wear leisure shoes or sandals.

Always wear the approved working outfit

- safety goggles
- ear protection
- dust protection

Do **not** wear gloves while operating this machine.

For the safe handling of saw blades wear work gloves.

Observe the chapter "save operation" in this manual.

Control the stopping time of the machine, it may not be longer than 10 seconds.

Insure that the workpiece does not roll when cutting round pieces.

Use suitable table extensions and supporting aids for difficult to handle workpieces.

Always lower the blade guide close to the workpiece.

With the machine table is inclined use the fence and position it on the bottom side only.

Always hold and guide the workpieces safely during machining.

Remove cut and jammed workpieces only when motor is turned off and the machine is at a complete standstill.

Install the machine so that there is sufficient space for safe operation and workpiece handling.

Keep work area well lighted.

The machine is designed to operate in closed rooms and must be placed stable on firm and levelled ground.

Make sure that the power cord does not impede work and cause people to trip.

Keep the floor around the machine clean and free of scrap material, oil and grease.

Stay alert!

Give your work undivided attention. Use common sense.

Keep an ergonomic body position. Maintain a balanced stance at all times.

Do not operate the machine when you are tired.

Do not operate the machine under the influence of drugs, alcohol or any medication. Be aware that medication can change your behaviour.

Keep children and visitors a safe distance from the work area.

Never reach into the machine while it is operating or running down.

Never leave a running machine unattended. Before you leave the workplace switch off the machine.

Do not operate the electric tool near inflammable liquids or gases. Observe the fire fighting and fire alert options, for example the fire extinguisher operation and place.

Do not use the machine in a dump environment and do not expose it to rain.

Wood dust is explosive and can also represent a risk to health.

Dust from some tropical woods in particular, and from hardwoods like beach and oak, is classified as a carcinogenic substance.

Always use a suitable dust extraction device

Before machining, remove any nails and other foreign bodies from the workpiece.

Use a push block when working the ends of narrow stock.

Always store the push stick or the push wood handle with the machine, also when not in use.

Specifications regarding the maximum or minimum size of the workpiece must be observed.

Do not remove chips and workpiece parts until the machine is at a complete standstill.

Do not stand on the machine.

Connection and repair work on the electrical installation may be carried out by a qualified electrician only.

Have a damaged or worn cord replaced immediately.

Make all machine adjustments or maintenance with the machine unplugged from the power source.

Remove defective saw blades immediately.

### 3.3 Remaining hazards

When using the machine according to regulations some remaining hazards may still exist

The moving saw blade in the work area can cause injury.

Broken saw blades can cause injuries.

Thrown workpieces can lead to injury

Wood chips and sawdust can be health hazards. Be sure to wear personal protection gear such as safety goggles ear- and dust protection.

Use a suitable dust exhaust system.

The use of incorrect mains supply or a damaged power cord can lead to injuries caused by electricity.

## 4. Machine specifications

### 4.1 Technical data

Wheel diameter	355 mm
Cutting width	max 350 mm
Cutting height	max 200 mm
Sawblade length	2560 mm
Blade width	3 - 25 mm
Blade thickness	0,4 – 0,7 mm
Cutting speed	800 m/min
Machine Table(Lx W)	385x500 mm
Table tilting range	-10° to 45°
Working height	1055mm
Dust port diameter	100mm
Overall (LxWxH)	830x785x1750mm
Weight	93 kg

Mains 230V ~1/N/PE 50Hz  
 Output power 0,5 kW (0,75HP)S1  
 Reference current 3,5 A  
 Extension cord (H07RN-F): 3x1,5mm<sup>2</sup>  
 Installation fuse protection 10 A

#### 4.2 Noise emission

Determined according to EN 1807  
 (Inspection tolerance 4 dB)  
 Workpiece beech:  
 T=30mm, L=1500mm, moisture 8,5%

Acoustic power level  
 (according to EN ISO 3746):  
 Idling LwA 82,5 dB(A)  
 Operating LwA 93,6 dB(A)

Acoustic pressure level  
 (EN ISO 11202):  
 Idling LpA 74,7 dB(A)  
 Operating LpA 87,2 dB(A)

The specified values are emission levels and are not necessarily to be seen as safe operating levels. Although there is a correlation between emission and imission levels, these do not constitute a basis for determining the necessity of additional safety measures. Workplace conditions which could influence the noise imission level include the duration of resonance, spatial particulars, other noise sources etc. For example, the number of machines and other work being performed. The permissible workplace levels can vary from country to country.

This information is intended to allow the user to make a better estimation of the hazards and risks involved.

#### 4.3 Dust emission

The band saw JWBS-14Q has been dust emission inspected.

At an air velocity of 20 m/s on the dust port dia 100mm:  
 Vacuum pressure 1250 Pa  
 Volume flow 565 m<sup>3</sup>/h

The machine meets a workplace dust emission limit of 2 mg/m<sup>3</sup>.

#### 4.4 Content of delivery

Machine table  
 Fence  
 Fence support rails  
 Parallel cutting device  
 Mitre gauge  
 Dust port 100mm  
 Assembly bag  
 Saw blade 10 mm  
 Operating manual  
 Spare parts list

### 5. Transport and start up

#### 5.1 Transport and installation

For transport use a forklift or hand trolley. Make sure the machine does not tip or fall off during transport.

The machine is designed to operate in closed rooms and must be placed stable on firm and levelled ground.

The machine can be bolted down if required.

For packing reasons the machine is not completely assembled.

#### 5.2 Assembly

If you notice any transport damage while unpacking, notify your supplier immediately. Do not operate the machine!

Dispose of the packing in an environmentally friendly manner.

Clean all rust protected surfaces with a mild solvent.

Mount the machine table to the trunions and attach the lock knobs (A, Fig 1).

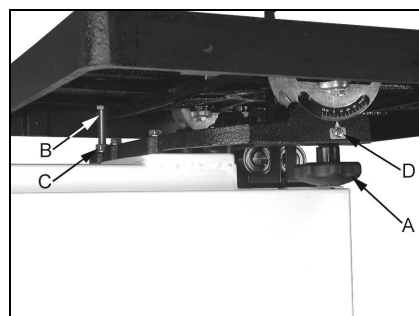


Fig 1

Set the table to be square to the sawblade and reference the table stop (B, Fig 1) and the tilting scale (D, Fig 1).

Attach the support rails (G, Fig 2) to the machine table with 4 hex cap screws, 4 spring washers and 4 washers and align them parallel to the table surface.

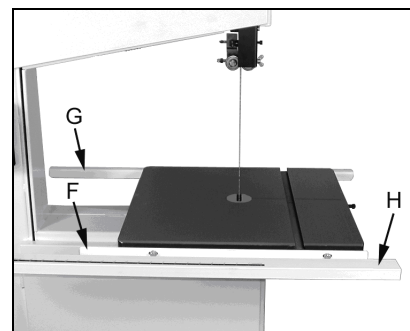


Fig 2

Attach the guide rail (H, Fig 2) with 5 hex cap screws, 5 spring washers and 5 washers.

Place the fence assembly (B, Fig 3) on the guide rail and align the fence profile (A, Fig 3) to be parallel to the mitre groove in the table.

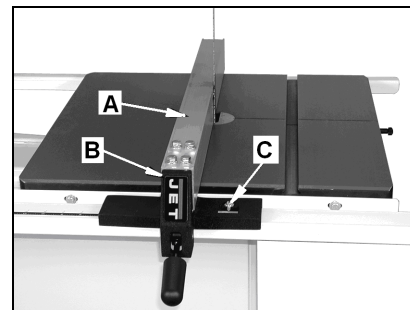


Fig 3

Move the fence assembly flush to the sawblade and set the pointer (C, Fig 3) to zero.

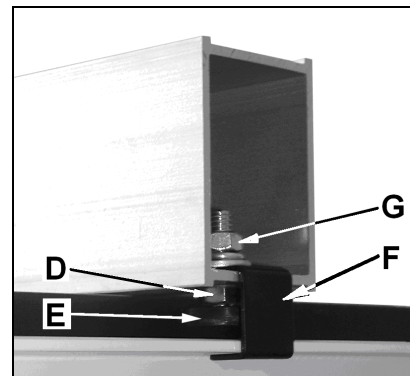


Fig 4

Check the clearance between the table and the fence. The gap should be appr. 1mm. Use the support rails and the rear glide piece (E, Fig 4) to adjust.

## 5.2 Mains connection

Mains connection and any extension cords used must comply with applicable regulations.

The mains voltage must comply with the information on the machine licence plate.

The mains connection must have a 16 A surge-proof fuse.

Only use power cords marked H07RN-F

Connections and repairs to the electrical equipment may only be carried out by qualified electricians.

## 5.3 Dust connection

Before initial operation, the machine must be connected to a dust extractor. The suction should switch on automatically when the bandsaw is switched on.

The flow rate on the suction port must be 20m/sec.

Flexible hoses must be of non-flammable quality, and must be connected to the machine ground system.

## 5.4 Starting operation

You can start the machine with the green on button. The red button on the main switch stops the machine.

## 6. Machine operation

### Correct working position:

In front of the machine standing in the direction of cutting.

### Workpiece handling:

Hands placed flat on the workpiece outside the cutting area. Feed the workpiece towards the saw blade in the direction of the saw line, and cut as required by turning to follow the line drawn. Push the workpiece steadily forward; complete the cut as a single movement. Do not draw the workpiece back, as this could cause the sawblade to run off its wheels.

Support long and wide workpieces with helping roller stands.

### Operating hints:

Work only with a sharp and flawless sawblade.

Near the cutting area use a push stick to feed.

Bring the upper blade guide to a distance of approx 0,5 cm to the workpiece.

Use a feeding template to safely guide small and narrow workpieces.

Use a suitable wedge to prevent round timber from turning under the pressure of the cut

### Blade Drift:

Blade drift is a frequent problem on rip cuts and during resawing.

Blade drift may occur when the fence is being used, the blade begins to wander off the cutting line (Fig 5).

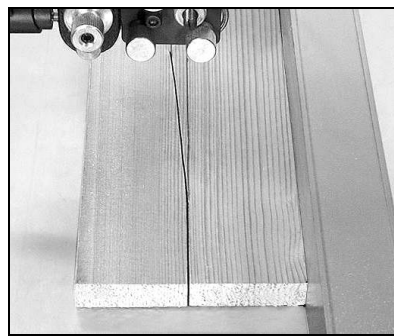


Fig 5

Blade drift can be caused by a number of factors.

- The saw blade follows the grain
- The saw blade is dull.
- Blade guides not adjusted correctly.
- Blade tension insufficient.
- Blade-teeth have asymmetric "set"

### Resaw guide:

The resaw guide allows you to compensate blade drift.

The feed direction can be lined up to follow the cut.

For resawing attach the post (A, Fig 6) to the fence with the lock knob (B). Position the post so that it is centered with the blade teeth.

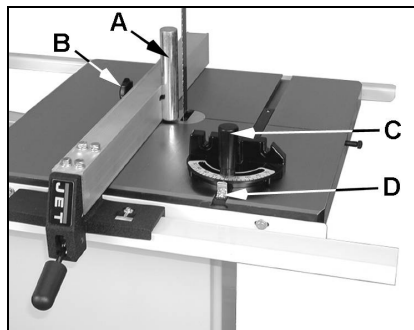


Fig 6

### Mitre gauge:

Place the mitre gauge in the table T-slot.

If the mitre gauge is not square loosen the lock knob (C) and adjust the pointer (D).

**For the authorized use of the machine observe the appendix A "safe operation" (on the last pages of this operating manual)**

A.1: Performing high cuts

A.2.: Performing diagonal cuts

A.3.: Tenon cutting

A.4.: Cutting of wedges

A.5.: Curved cuts

A.6.: Arc cuts

A.7.: Cutting with template

A.8.: Circular cutting

A8.1 Set up without workpiece

A8.2 Placing the workpiece

A8.3 Machining

## 7. Setup and adjustments

### General note:

**Setup and adjustment work may only be carried out after the machine is protected against accidental starting by pulling the mains plug.**

### 7.1 Changing the sawblade

The sawblade has to meet the technical specification.

Choose a suitable sawblade, according to the cutting operation and according to the material to be cut.

For high rip cuts:

- use a wide sawblade (e.g. 16mm), coarse teathed.

For narrow curved cuts:

- use a narrow sawblade (e.g. 3mm).

Check sawblade for flaws (cracks, broken teeth, bending) before installation. Do not use faulty sawblades.

The sawblade teeth must point in cutting direction (down)

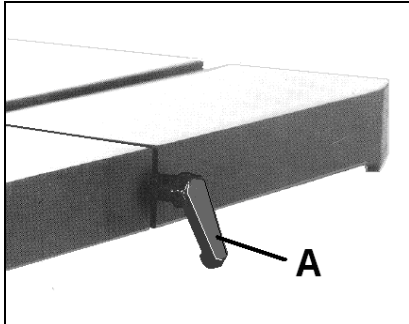
Always wear suitable gloves when handling sawblades.

The sawblades may only be changed when the mains plug is pulled!

**To remove the blade:**

Open the wheel covers.

Remove the table pin (A, Fig 7) and the table insert.



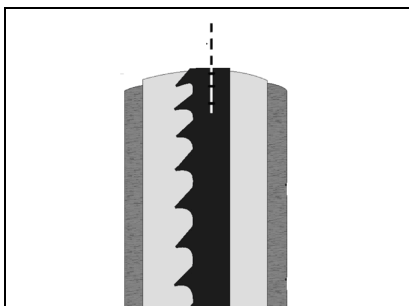
**Fig 7**

Release the blade tension by operating the quick blade tension lever and by turning the blade tension handwheel on top of the machine.

**7.2 Blade tracking adjustment**

Blade tracking shall never be performed when the machine is running.

The sawblade must run on the centre of the rubber tyres (Fig 8).



**Fig 8**

With the knob on the back of the machine the blade tracking can be adjusted.

Tighten the placed sawblade sufficiently.

Follow the scale on the back of the machine.

**7.3 Blade tension adjustment**

**Quick blade tension lever**

Place the quick blade tension lever in the Tension position.

Blade tension is set with the blade tension handwheel.

Tighten the placed sawblade sufficiently.

Follow the scale on the back of the machine.

**Note:**

When the band saw is not in use, the blade tension can be reduced with the quick blade tension lever on top of the machine.

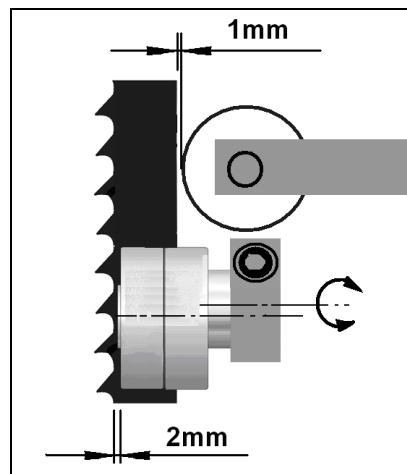
This will prolong the blade's life.

Also for blade changing it allows quick blade tension release.

**7.4 Blade guide adjustment**

Blade guide adjustment shall never be performed when the machine is running.

Position the guide assembly forward/backward so that the teeth keep a distance of appr. 2mm to the guide elements. Secure the back guide roller so that the distance to the saw blade is 1mm (Fig 9).



**Fig 9**

Set the lateral guide elements so that they contact the sawblade lightly. The sawblade may not be pushed out of place.

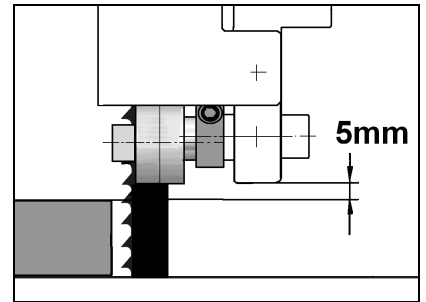
**Test run:**

Turn the wheels by hand and inspect the adjustments made.

Start the machine with care.

**Workpiece setup:**

Bring the upper blade guide to a distance of approx 0,5cm to the workpiece (Fig 10).



**Fig 10**

For your own safety, always set the saw guide as close to the workpiece as possible.

**7.5 Folding the bandsaw blade**

Hold the bandsaw blade in one hand. Let it hang down vertically and hold it to the floor with a foot. Turn your hand through 360° (a complete circle), as you move it down towards the floor.

**8. Maintenance and inspection**

**General notes:**

**Maintenance, cleaning and repair work may only be carried out after the machine is protected against accidental starting by pulling the mains plug.**

Repair and maintenance work on the electrical system may only be carried out by a qualified electrician.

Clean the machine regularly.

Inspect the proper function of the dust extraction daily.

All protective and safety devices must be re-attached immediately after completed cleaning, repair and maintenance work.

Defective safety devices must be replaced immediately.

Inspect the correct blade tension regularly. Take away the blade tension if the machine is not in use for a longer time period.

Inspect the blade guide adjustment regularly.

**Wheels:**

The rubber tyre of the wheels must be cleaned regularly.

The upper wheel support must be lubricated regularly.

**Drive:**

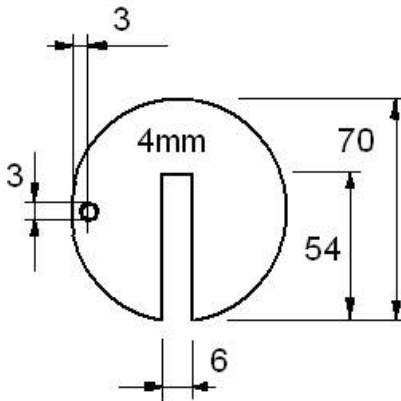
The belt tension must be inspected regularly.

**Table insert:**

Replace a worn table insert.

The table insert may not project above table surface.

The table insert (Fig 11) must be made out of cutable material (e.g. wood, plastic, aluminium)



**Fig 11**

JET Stock number: 135010

The table insert may not project above table surface.

**Saw blades:**

The servicing of saw blades should only be performed by a trained person.

Only use sharp and properly set saw blades.

**9. Trouble shooting****Motor doesn't start**

\*No electricity-  
check mains and fuse.

\*Defective switch, motor or cord-  
consult an electrician.

**Machine vibrates excessively**

\*Stand on uneven floor-  
adjust stand for even support.

\*dust on wheel-  
clean tires.

\*sawblade has cracks-  
replace sawblade immediately

**Cut is not square**

\*Table stop setting wrong.

\*Blade guide setting is bad

**Cutting surfaces is bad**

- \*Wrong sawblade used
  - \*resin collection on sawblade
  - \*sawblade is dull
  - \*Blade guide setting is bad
  - \*Blade tension too low
  - \*workpiece inhomogeneous
  - \*Feed pressure too high-
- Do not force the workpiece.

**10. Environmental protection**

Protect the environment.

Your appliance contains valuable materials which can be recovered or recycled. Please leave it at a specialized institution.

**11. Available accessories**

Refer to the JET-Pricelist for various saw blades.

**Stock number 709207**

Foldable roller stand.

**12. Safe operation**

See appendix A (on the last pages of this operating manual)

A.1: Performing high cuts

A.2.: Performing diagonal cuts

A.3.: Tenon cutting

A.4.: Cutting of wedges

A.5.: Curved cuts

A.6.: Arc cuts

A.7.: Cutting with template

A.8.: Circular cutting

A8.1 Set up without workpiece

A8.2 Placing the workpiece

A8.3 Machining



# DE - DEUTSCH

## Gebrauchsanleitung

Sehr geehrter Kunde,

vielen Dank für das Vertrauen, welches Sie uns beim Kauf Ihrer neuen JET-Maschine entgegengebracht haben. Diese Anleitung ist für den Inhaber und die Bediener zum Zweck einer sicheren Inbetriebnahme, Bedienung und Wartung der **Bandsäge JWBS-14Q** erstellt worden. Beachten Sie bitte die Informationen dieser Gebrauchsanleitung und der beiliegenden Dokumente. Lesen Sie diese Anleitung vollständig, insbesondere die Sicherheitshinweise, bevor Sie die Maschine zusammenbauen, in Betrieb nehmen oder warten. Um eine maximale Lebensdauer und Leistungsfähigkeit Ihrer Maschinen zu erreichen befolgen Sie bitte sorgfältig die Anweisungen.

### Inhaltsverzeichnis

- 1. Konformitätserklärung**
- 2. Garantieleistungen**
- 3. Sicherheit**  
Bestimmungsgemäße Verwendung  
Allgemeine Sicherheitshinweise  
Restrisiken
- 4. Maschinenspezifikation**  
Technische Daten  
Schallemission  
Staubemission  
Lieferumfang
- 5. Transport und Inbetriebnahme**  
Transport und Aufstellung  
Montage  
Elektrischer Anschluss  
Absaug Anschluss  
Inbetriebnahme
- 6. Betrieb der Maschine**
- 7. Rüst- und Einstellarbeiten**  
Montage des Sägebandes  
Einstellung des Bandlaufes  
Einstellung der Bandspannung  
Einstellung der Bandführung  
Zusammenlegen des Bandes
- 8. Wartung und Inspektion**
- 9. Störungsabhilfe**
- 10. Umweltschutz**
- 11. Lieferbares Zubehör**
- 12. „sicheres Arbeiten“..... Anhang A**

### 1. Konformitätserklärung

Wir erklären in alleiniger Verantwortlichkeit, dass dieses Produkt mit den auf Seite 2 angegebenen Richtlinien\* übereinstimmt. Bei der Konstruktion wurden folgende Normen\*\* berücksichtigt und eine EG-Baumusterprüfung \*\*\* von \*\*\*\* durchgeführt.

### 2. Garantieleistungen

Der Verkäufer garantiert, dass das gelieferte Produkt frei von Material- und Fertigungsfehlern ist. Diese Garantie trifft nicht auf jene Defekte zu, welche auf direkten oder indirekten, nicht fachgerechten Gebrauch, Unachtsamkeit, Unfallschaden, Reparatur, mangelhafte Wartung bzw. Reinigung sowie normalen Verschleiß zurückzuführen sind.

Garantie- bzw. Gewährleistungsansprüche müssen innerhalb von 12 Monaten ab dem Verkaufsdatum (Rechnungsdatum) geltend gemacht werden. Weitergehende Ansprüche sind ausgeschlossen.

Die vorliegende Garantie umfasst sämtliche Garantieverpflichtungen seitens des Verkäufers und ersetzt alle früheren Erklärungen und Vereinbarungen betreffend Garantien.

Die Garantiefrist gilt für eine tägliche Betriebszeit von 8 Stunden. Wird diese überschritten, so verkürzt sich die Garantiefrist proportional zur Überschreitung, jedoch höchstens auf 3 Monate.

Die Rücksendung beanstandeter Ware bedarf der ausdrücklichen vorherigen Zustimmung vom Verkäufer und geht auf Kosten und Gefahr des Käufers.

Die ausführlichen Garantieleistungen sind den Allgemeinen Geschäftsbedingungen (AGB) zu entnehmen. Die AGB sind unter [www.jettools.com](http://www.jettools.com) einzusehen oder werden auf Anfrage per Post zugestellt.

Der Verkäufer behält sich das Recht vor, jederzeit Änderungen am Produkt und Zubehör vorzunehmen.

### 3. Sicherheit

#### 3.1 Bestimmungsgemäße Verwendung

Die Maschine ist geeignet zum Sägen von Holz und Holzersatzstoffen, sowie diesen ähnlich zu bearbeitende harte Kunststoffe.

Die Bearbeitung anderer Werkstoffe ist nicht zulässig bzw. darf in Sonderfällen nur nach Rücksprache mit dem Maschinenhersteller erfolgen.

Es dürfen keine metallischen Werkstoffe bearbeitet werden.

Es dürfen nur Werkstücke bearbeitet werden welche sicher aufgelegt und geführt werden können.

Die bestimmungsgemäße Verwendung beinhaltet auch die Einhaltung der vom Hersteller angegebenen Betriebs- und Wartungsanweisungen.

Die Maschine darf ausschließlich von Personen bedient werden, die mit Betrieb und Wartung vertraut und über die Gefahren unterrichtet sind.

Das gesetzliche Mindestalter ist einzuhalten.

Die Maschine nur in technisch einwandfreiem Zustand benutzen.

Beim Arbeiten an der Maschine müssen sämtliche Schutzeinrichtungen und Abdeckungen montiert sein.

Neben den in der Gebrauchsanleitung enthaltenen Sicherheitshinweisen und den besonderen Vorschriften Ihres Landes sind die für den Betrieb von Holzbearbeitungsmaschinen allgemein anerkannten fachtechnischen Regeln zu beachten.

Jeder darüber hinaus gehende Gebrauch gilt als nicht bestimmungsgemäß und für daraus resultierende Schäden haftet der Hersteller nicht. Das Risiko trägt allein der Benutzer.

### 3.2 Allgemeine Sicherheitshinweise

Holzbearbeitungsmaschinen können bei unsachgemäßem Gebrauch gefährlich sein. Deshalb ist zum sicheren Betreiben die Beachtung der zutreffenden Unfallverhütungsvorschriften und der nachfolgenden Hinweise erforderlich.

Lesen und verstehen Sie die komplette Gebrauchsanleitung bevor Sie mit Montage oder Betrieb der Maschine beginnen.

Bewahren Sie die Bedienungsanleitung, geschützt vor Schmutz und Feuchtigkeit, bei der Maschine auf, und geben Sie sie an einen neuen Eigentümer weiter.

An der Maschine dürfen keine Veränderungen, An- und Umbauten vorgenommen werden.

Überprüfen Sie täglich vor dem Einschalten der Maschine die einwandfreie Funktion und das Vorhandensein der erforderlichen Schutzeinrichtungen.

Festgestellte Mängel an der Maschine oder den Sicherheitseinrichtungen sind zu melden und von den beauftragten Personen zu beheben. Nehmen Sie die Maschine in solchen Fällen nicht in Betrieb, sichern Sie die Maschine gegen Einschalten durch Ziehen des Netzsteckers.

Zum Schutz von langem Kopfhaar Mütze oder Haarnetz aufsetzen.

Enganliegende Kleidung tragen, Schmuck, Ringe und Armbanduhren ablegen.

Tragen Sie Schutzschuhe, keinesfalls Freizeitschuhe oder Sandalen.

Verwenden Sie die durch Vorschriften geforderte persönliche Schutzausrüstung

- Augenschutz
- Gehörschutz
- Staubschutz

Beim Arbeiten an der Maschine **keine Handschuhe** tragen.

Zum Handhaben des Sägebandes geeignete Arbeitshandschuhe tragen.

Verwenden Sie bei den Arbeiten mit längeren Werkstücken geeignete Tischverlängerungen, Rollbahnen, etc.

Beachten Sie das in dieser Betriebsanleitung enthaltene Kapitel zu den Sicheren Arbeitsweisen.

Achten Sie auf die Auslaufzeit der Maschine, sie darf in keinem Fall 10 s übersteigen.

Beim Sägen von Rundholz das Werkstück gegen Verdrehen sichern. Beim Sägen von unhandlichen Werkstücken geeignete Hilfsmittel zum Abstützen verwenden.

Die obere Bandführung möglichst nahe an das Werkstück absenken.

Bei schräggestelltem Tisch den Längsanschlag an der unteren Tischhälfte ansetzen.

Es ist darauf zu achten dass alle Werkstücke beim Bearbeiten sicher gehalten und sicher geführt werden.

Abgesägte, eingeklemmte Werkstücke nur bei ausgeschaltetem Motor und Stillstand des Sägebandes entfernen.

Die Maschine so aufstellen, dass genügend Platz zum Bedienen und zum Führen der Werkstücke gegeben ist.

Sorgen Sie für gute Beleuchtung. Achten Sie darauf, dass die Maschine standsicher auf festem und ebenem Grund steht.

Beachten Sie dass die elektrische Zuleitung nicht den Arbeitsablauf behindert und nicht zur Stolperstelle wird

Den Arbeitsplatz frei von behindernden Werkstücken, etc. halten.

Seien Sie aufmerksam und konzentriert. Gehen Sie mit Vernunft an die Arbeit.

Achten Sie auf ergonomische Körperhaltung. Sorgen Sie für sicheren Stand und halten Sie jederzeit das Gleichgewicht.

Arbeiten Sie niemals unter dem Einfluss von Rauschmitteln wie Alkohol und Drogen an der Maschine. Beachten Sie, dass auch Medikamente Einfluss auf Ihr Verhalten nehmen können.

Halten Sie Unbeteiligte, insbesondere Kinder vom Gefahrenbereich fern.

Die laufende Maschine nie unbeaufsichtigt lassen. Vor dem Verlassen des Arbeitsplatzes die Maschine ausschalten.

Benützen Sie die Maschine nicht in der Nähe von brennbaren Flüssigkeiten oder Gasen. Beachten Sie die Brandmelde- und Brandbekämpfungsmöglichkeiten z.B. Standort und Bedienung von Feuerlöschern.

Benützen Sie die Maschine nicht in feuchter Umgebung und setzen Sie sie nicht dem Regen aus.

Achten Sie stets darauf, dass keine zu große Staubkonzentration entsteht – verwenden Sie stets eine geeignete Absauganlage Holzstaub ist explosiv und kann gesundheitsschädigend sein. Insbesondere tropische Hölzer und harte Hölzer wie Buche und Eiche sind als krebserregend eingestuft.

Vor der Bearbeitung Nägel und andere Fremdkörper aus dem Werkstück entfernen.

Bei schmalen Werkstücken am Ende der Bearbeitung mit dem Schiebeholz verschieben.

Der Schiebestock oder der Handgriff für eine Schiebeholz sollte bei Nichtbenützung immer an der Maschine aufbewahrt werden.

Angaben über die min. und max. Werkstückabmessungen müssen eingehalten werden.

Späne und Werkstückteile nur bei stehender Maschine entfernen.

Nicht auf der Maschine stehen.

Arbeiten an der elektrischen Ausrüstung der Maschine dürfen nur durch eine Elektrofachkraft vorgenommen werden.

Tauschen Sie ein beschädigtes Netzkabel sofort aus.

Umrüst-, Einstell- und Reinigungsarbeiten nur im Maschinenstillstand und bei gezogenem Netzstecker vornehmen.

Schadhafte Sägeblätter sofort ersetzen.

### 3.3 Restrisiken

Auch bei vorschriftsmäßiger Benutzung der Maschine bestehen die nachfolgend aufgeführten Restrisiken:

Verletzungsgefahr durch das frei laufende Sägeband im Arbeitsbereich.

Gefährdung durch Bruch des Sägebandes.

Gefährdung durch wegfliegende Werkstückeile.

Gefährdung durch Lärm und Staub.  
Unbedingt persönliche Schutzausrüstung wie Augen- Gehör- und Staubschutz tragen.  
Eine geeignete Absauganlage einsetzen!

Gefährdung durch Strom, bei nicht ordnungsgemäßer Verkabelung.

## 4. Maschinenspezifikation

### 4.1 Technische Daten

Rollendurchmesser	355 mm
Schnittbreite	max 350 mm
Schnitthöhe	max 200 mm
Sägebandlänge	2560 mm
Sägebandbreite:	3 - 25 mm
Sägebandstärke	0,4 – 0,7 mm
Schnittgeschwindigkeit:	800 m/min
Arbeitstisch(Lx B)	385x500 mm
Arbeitstischneigung	-10° bis 45°
Arbeitstischhöhe	1055mm
Absaugstutzen	100mm
Maschinenabmessung (LxBxH)	830x785x1750mm
Maschinengewicht	93 kg
Netzanschluss	230V ~1/N/PE 50Hz
Abgabeleistung	0,5 kW (0,75 PS) S1
Betriebsstrom	3,5 A
Anschlussleitung(H07RN-F)	3x1,5mm <sup>2</sup>
Bauseitige Absicherung	10A

### 4.2 Schallemission

Werte ermittelt nach EN 1807  
(Messunsicherheitsfaktor 4 dB)  
Werkstück Buche:  
T=30mm, L=1500mm, Feuchte 8,5%

Schalleistungspegel (nach EN ISO 3746):	
Leerlauf	LwA 82,5 dB(A)
Bearbeitung	LwA 93,6 dB(A)

Schalldruckpegel (nach EN ISO 11202):	
Leerlauf	LpA 74,7 dB(A)
Bearbeitung	LpA 87,2 dB(A)

Die angegebenen Werte sind Emissionspegel und sind nicht notwendigerweise Pegel für sicheres Arbeiten.

Obwohl es einen Zusammenhang zwischen Emissions- und Immissionspegel gibt, kann daraus nicht zuverlässig abgeleitet werden, ob zusätzliche Maßnahmen erforderlich sind.

Die den aktuellen am Arbeitsplatz vorhandenen Immissionspegel beeinflussenden Faktoren umfassen die Dauer der Exposition, die Raumcharakteristik, andere Lärmquellen usw. wie z.B. die Anzahl der Maschinen und andere benachbarte Bearbeitungsvorgänge. Außerdem kann der zulässige Immissionspegel von Land zu Land unterschiedlich sein.

Trotzdem ist diese Information geeignet, dem Anwender der Maschine eine bessere Abschätzung der Gefährdung und des Risikos zu ermöglichen.

### 4.3 Staubemission

Die Bandsäge JWBS-14Q wurde staubemissionsbewertet.

Bei 20 m/s Luftgeschwindigkeit am Absaugstutzen Durchmesser 100mm:  
Unterdruck 1250 Pa  
Volumenstrom 565 m<sup>3</sup>/h

Ein Staubgehalt von 2 mg/m<sup>3</sup> am Arbeitsplatz ist dauerhaft eingehalten.

### 4.4 Lieferumfang

Maschinentisch  
Längsanschlag  
Anschlagschienen  
Parallelschnitteinrichtung  
Gehrungsanschlag  
Absaugstutzen 100mm  
Montagezubehör  
Sägeband 10 mm  
Gebrauchsanleitung  
Ersatzteilliste

## 5. Transport und Inbetriebnahme

### 5.1. Transport und Aufstellung

Die Maschine wird in Karton verpackt ausgeliefert.

Zum Transport verwenden Sie einen handelsüblichen Stapler oder Hubwagen. Sichern Sie die Maschine beim Transport gegen Umfallen.

Die Aufstellung der Maschine sollte in geschlossenen Räumen erfolgen, tischlerübliche Bedingungen in der Werkstatt sind dabei ausreichend.

Die Aufstellfläche muss ausreichend eben und belastungsfähig sein. Die Maschine kann bei Bedarf auf der Aufstellfläche befestigt werden.

Aus verpackungstechnischen Gründen ist die Maschine nicht komplett montiert.

### 5.2 Montage

Wenn Sie beim Auspacken einen Transportschaden feststellen benachrichtigen Sie umgehend Ihren Händler, nehmen Sie das Gerät nicht in Betrieb!

Entsorgen Sie die Verpackung bitte umweltgerecht.

Entfernen Sie das Rostschutzfett vom Maschinentisch mit einem milden Lösungsmittel.

Montieren Sie den Tisch auf die Tischwippen und klemmen Sie ihn mit den beiden Sterngriffschrauben (A, Fig 1) fest.

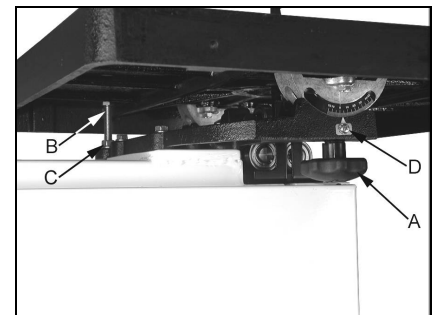


Fig 1

Bringen Sie den Maschinentisch rechtwinklig zum Sägeband und stellen Sie den Tischanschlag (B, Fig 1) und den Gradzeiger (D, Fig 1) gegebenenfalls nach.

Montieren Sie die Anschlagschienen (G, Fig 2) am Maschinentisch mittels 4Sechskantschrauben, 4Feder-scheiben und 4Scheiben, und richten Sie sie parallel zur Tischoberfläche aus.

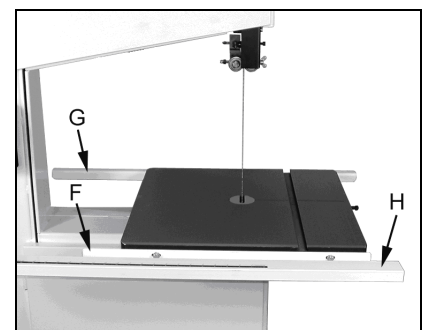


Fig 2

Montieren Sie das Führungsprofil (H, Fig 2) mit 5Sechskantschrauben, 5Federscheiben und 5Scheiben.

Montieren Sie den Anschlag (B, Fig 3) und richten Sie das Anschlagprofil (A, Fig 3) parallel zur Tischnut aus.

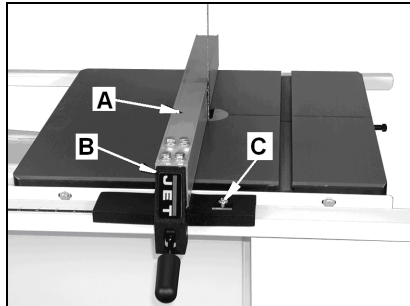


Fig 3

Bringen Sie den Anschlag an das Sägeband und stellen Sie den Skalenzeiger (C, Fig 3) auf Null.

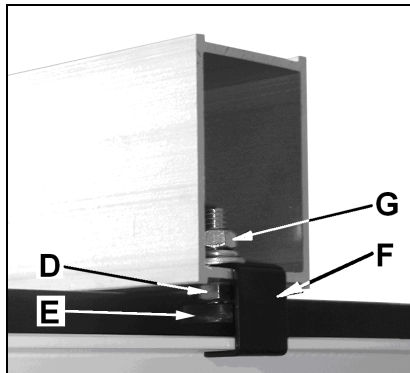


Fig 4

Stellen Sie den Parallelanschlag mittels der Anschlagschienen und der Rückwärtigen Abstützung (E, Fig 4) so ein dass er einen Abstand von ca. 1mm zum Tisch hat.

### 5.3 Elektrischer Anschluss

Der kundenseitige Netzanschluss sowie die verwendeten Verlängerungsleitungen müssen den Vorschriften entsprechen.

Die Netzspannung und Frequenz müssen mit den Leistungsschilddaten an der Maschine übereinstimmen.

Die bauliche Absicherung muss 16A betragen.

Verwenden Sie nur Anschlussleitungen mit Kennzeichnung H07RN-F.

Anschlüsse und Reparaturen der elektrischen Ausrüstung dürfen nur von einer Elektrofachkraft durchgeführt werden.

### 5.4 Absaug Anschluss

Die Maschine muss vor der Inbetriebnahme an eine Absaugung angeschlossen werden und zwar derart, dass sich beim Einschalten der Bandsägemaschine die Absaugung selbsttätig mit einschaltet.

Die Mindestluftgeschwindigkeit am Absaugstutzen muss 20 m/s betragen. Absaugschläuche müssen der Qualität „schwer entflammbar“ entsprechen und in die Erdung der Maschine mit einbezogen werden.

### 5.5 Inbetriebnahme

Mit dem grünen Eintaster am Hauptschalter kann die Maschine gestartet werden: Mit dem roten Aus-Taster kann die Maschine stillgesetzt werden.

## 6. Betrieb der Maschine

### Richtige Arbeitsstellung:

Vor der Maschinen in Schnittrichtung stehend.

### Werkstückhandhabung:

Hände außerhalb des Schnittbereichs flach auf dem Werkstück aufliegend. Werkstück in Richtung des angezeichneten Risses dem Sägeblatt zuführen und durch Drehen den Schnittverlauf nach Riss bestimmen. Gleichmäßig vorschieben, nicht verkanten, den Schnitt durchgehend ausführen.

Das Werkstück nicht zurückziehen, es besteht die Gefahr dass das Sägeband von den Laufrollen abläuft.

Breite und lange Werkstücke durch Rollenböcke abstützen.

### Arbeitshinweise:

Nur mit scharfem und ausreichend geschränktem Sägeblatt arbeiten!

Im Schneidbereich nur mit dem Schiebstock vorschieben.

Die obere Bandführung ca. 0,5 cm über dem Werkstück feststellen.

Zur sicheren Führung von kleinen und schmalen Werkstücken eine Zuführlade verwenden. Rundholz mit geeigneter Vorrichtung gegen Drehen durch den Schnittdruck sichern.

### Bandverlauf:

Bei Parallelschnitten und bei hohen Auftrennschnitten kommt es häufig zu Bandverlauf.

Das Sägeband verläuft dabei von der gewünschten Schnittlinie (Fig 5).

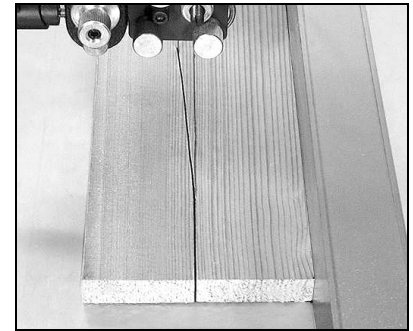


Fig 5

Es gibt mehrere Ursachen für Bandverlauf.

- Das Sägeband folgt der Faserung
- Das Sägeband ist stumpf.
- Die Bandführung ist nicht richtig eingestellt.
- Die Bandspannung ist zu gering.
- Die Band Zahnung ist asymmetrisch

### Parallelschnitt Einrichtung:

Die Parallelschnitt Einrichtung erlaubt es das Werkstück dem Schnitt folgend zu führen.

Montieren Sie den Anschlag (A, Fig 6) mit der Sterngriffschraube (B) auf Höhe der Sägeband-Zahnung.

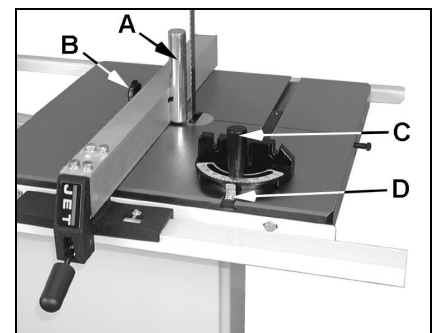


Fig 6

### Gehrungsanschlag:

Der Gehrungsanschlag wird in der Tisch T-Nut geführt.

Bei Ungenauigkeit lösen Sie die Griffschraube (C) und justieren Sie die Skala (D)

**Zur bestimmungsgemäßen Verwendung der Maschine beachten Sie auch den Anhang A "Sicheres Arbeiten" (auf den letzten Seiten der Bedienungsanleitung)**

- A.1.: Ausführen von hohen Schnitten
- A.2.: Ausführen von Schrägschnitten
- A.3.: Schneiden von Zapfen
- A.4.: Schneiden von Keilen
- A.5.: Geschweifte Schnitte
- A.6.: Bogenförmige Schnitte
- A.7.: Schneiden mit einer Schablone
- A.8.: Ausführen von Kreisschnitten
  - A8.1 Einrichten ohne Werkstück
  - A8.2 Auflegen des Werkstückes
  - A8.3 Bearbeitung

**7. Rüst- und Einstellarbeiten**

**Allgemeine Hinweise**

Vor Rüst- und Einstellarbeiten muss die Maschine gegen Inbetriebnahme gesichert werden.

**Netzstecker ziehen.**

**7.1 Montage des Sägebandes**

Das Sägeband muss den angegeben technischen Daten entsprechen.

Verwenden Sie ein geeignetes Sägeband, entsprechend dem zu schneidenden Material und entsprechend der Zerspannungsaufgabe.

Für hohe Längsschnitte:

- ein breites Sägeband ( z.B. 16mm)
- mit grober Zahnteilung

Für enge Kurvenschnitte:

- ein schmales Sägeband (z.B. 3mm)

Das Sägeband vor dem Auflegen auf Fehler überprüfen (Risse, schadhafte Zähne, Verbiegung). Fehlerhafte Sägebänder nicht verwenden.

Achten Sie darauf, dass die Zähne des Sägebandes in Schnittrichtung (abwärts) zeigen.

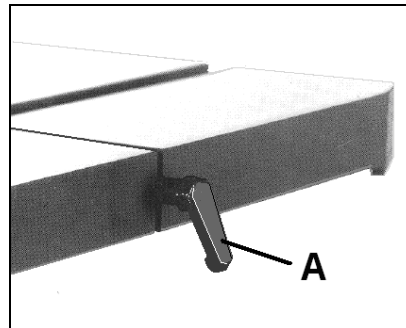
Zum Handhaben des Sägebandes immer geeignete Arbeitshandschuhe tragen.

Der Sägebandwechsel darf nur bei gezogenem Netzstecker erfolgen.

**Entfernung des Sägebandes:**

Öffnen Sie die Räderdeckel.

Entfernen Sie am Tisch den Kegelstift (A, Fig 7) und die Tischeinlage.



**Fig 7**

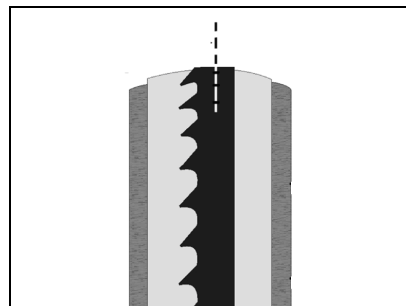
Lösen Sie die Bandspannung durch Umlegen des Band-Schnellspannhebels und durch Drehen am Bandspann-Handrad oben auf der Maschine.

**7.2 Einstellung des Bandlaufes**

Einstellung nie bei laufender Maschine vornehmen.

Achten Sie bei der Montage des Sägebandes auf den korrekten Lauf auf den Bandsägerollen.

Das Sägeband soll in der Mitte der Gummiauflage laufen (Fig 8).



**Fig 8**

Über das Handrad an der Maschinenrückseite kann der korrekte Sägebandlauf eingestellt werden.

Nach der Montage des Sägebandes ist für ausreichende Bandspannung zu achten. Eine Anzeige hierzu finden Sie auf der Maschinenrückseite.

**7.3 Einstellung der Bandspannung**

**Band-Schnellspannhebel:**

Bringen Sie den Band-Schnellspannhebel in die „gespannt“ Stellung.

Spannen Sie das Sägeband am Bandspann-Handrad oben auf der Maschine.

Das Sägeband immer ausreichend spannen.

Eine Anzeige hierzu finden Sie auf der Maschinenrückseite.

**Hinweis:**

Bei Nichtbetrieb der Maschine kann mit dem Band-Schnellspannhebel die Bandspannung schnell reduziert werden.

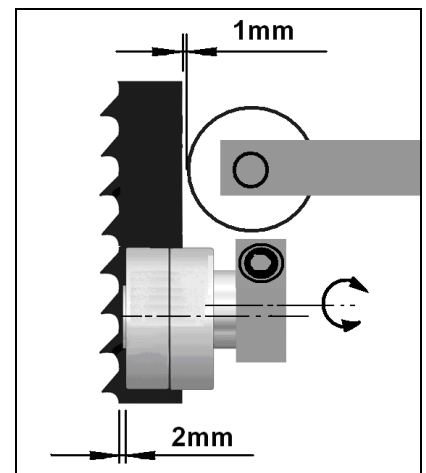
Damit wird eine höhere Bandlebensdauer erzielt.

Auch zum Bandwechsel kann damit das Band schnell entspannt werden.

**7.4 Einstellung der Bandführung**

Einstellung nie bei laufender Maschine vornehmen.

Die gesamte Führung in der Tiefe so einstellen, dass der Abstand vom Zahngrund zu den Führungsrollen ca. 2 mm beträgt, die Rückenrolle auf einen Abstand von 1 mm vom Sägeband einstellen.



**Fig 9**

Die seitlichen Führungsrollen mittels Excenterachsen so einstellen, dass sie das Bandsägeband leicht berühren, jedoch nicht klemmen. Es ist darauf zu achten, dass das Sägeband nicht seitlich weggedrückt wird.

**Bandlaufkontrolle:**

Drehen Sie die Bandsägerollen in Laufrichtung von Hand, prüfen Sie die Korrektheit der gemachten Einstellungen.

Starten Sie nachher die Maschine mit Vorsicht.

### Schnittvorbereitung:

Die obere Bandführung ca. 0,5 cm über dem Werkstück feststellen (Fig 10).

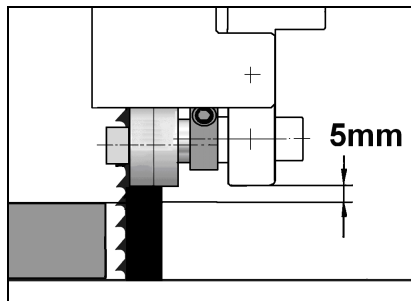


Fig 10

Zu Ihrer Sicherheit, senken Sie die obere Bandführung immer so nahe als möglich auf das Werkstück ab.

### 7.5 Zusammenlegen des Bandes

Das Sägeband mit einer Hand so halten, dass es senkrecht zum Boden hängt, mit einem Fuß auf das Band steigen, die Hand um 360° drehen und dabei gleichzeitig zum Boden hin bewegen.

## 8. Wartung und Inspektion

### Allgemeine Hinweise

Vor Wartungs- Reinigungs- und Reparaturarbeiten muss die Maschine gegen Inbetriebnahme gesichert werden.

### Netzstecker ziehen!

Anschlüsse und Reparaturen der elektrischen Ausrüstung dürfen nur von einer Elektrofachkraft durchgeführt werden.

Reinigen Sie die Maschine in regelmäßigen Zeitabständen.

Prüfen Sie täglich die ausreichende Funktion der Absaugung.

Sämtliche Schutzeinrichtung sofort wieder anbringen.

Ersetzen Sie beschädigte Schutzeinrichtungen sofort.

Kontrollieren Sie regelmäßig die Blattspannung und entspannen Sie das Sägeblatt bei längeren Arbeitspausen.

Kontrollieren sie regelmäßig die korrekte Einstellung der Blattführung.

### Laufräder:

Die Gummiauflage der Laufräder muss regelmäßig gereinigt werden.

Die obere Laufradaufhängung muss regelmäßig geschmiert werden.

### Antrieb:

Die Antriebsriemenspannung muss regelmäßig kontrolliert werden.

### Tischeinlage:

Ersetzen Sie eine Tischeinlage mit ausgefranstem Sägeschlitz.

Die Tischeinlage (Fig 11) muss aus leicht zerspanbarem Material bestehen (z.B. Hartholz, Kunststoff, Aluminium).

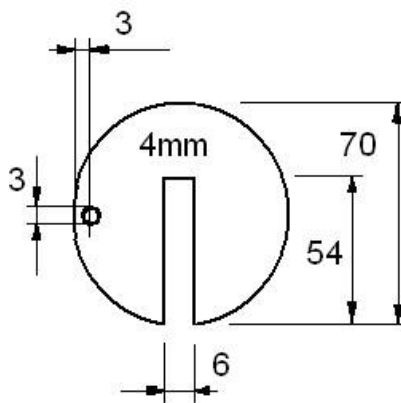


Fig 11

JET Teilenummer: 135010

Achten Sie darauf dass eine neue Tischeinlage nicht über den Tisch übersteht.

### Sägebänder:

Die Sägebandpflege sollte nur ausgebildetem Personal anvertraut werden.

Verwenden Sie nur ausreichend geschärfte und geschränkte Sägebänder.

## 9. Störungsabhilfe

### Motor startet nicht

\*Kein Strom-  
Zuleitung und Sicherung prüfen.

\*Motor, Schalter oder Kabel defekt-  
Elektrofachkraft kontaktieren.

### Starke Maschinenvibrationen

\*Maschine steht uneben-  
Ausgleich schaffen.

\*Laufradauflage verschmutzt-  
Gummiauflage reinigen.

\*Sägeband eingerissen-  
Sägeband sofort ersetzen.

### Schnittwinkel nicht 90°

\*Schwenkanschlag falsch eingestellt

\*Blattführung falsch eingestellt

### Schnittbild ist schlecht

\*Falsches Sägeband gewählt

\*verharztes Sägeband

\*Sägeband stumpf

\*Blattführung nicht richtig eingestellt

\*Blattspannung nicht ausreichend

\*Werkstück inhomogen

\*Vorschubdruck zu hoch-  
Bearbeitung nie erzwingen.

## 10. Umweltschutz

Schützen Sie die Umwelt!

Ihr Gerät enthält mehrere unterschiedliche, wiederverwertbare Werkstoffe.

Bitte entsorgen Sie es nur an einer spezialisierten Entsorgungsstelle.

## 11. Lieferbares Zubehör

Sägebänder unterschiedlicher Dimension finden Sie in der Jet Preisliste.

### Artikel Nummer 709207

Rollenbock klappbar

## 12. Sicheres Arbeiten

Siehe Anhang A ( auf den letzten Seiten der Bedienungsanleitung)

A.1: Ausführen von hohen Schnitten

A.2.: Ausführen von Schrägschnitten

A.3.: Schneiden von Zapfen

A.4.: Schneiden von Keilen

A.5.: Geschweifte Schnitte

A.6.: Bogenförmige Schnitte

A.7.: Schneiden mit einer Schablone

A.8.: Ausführen von Kreisschnitten

A8.1 Einrichten ohne Werkstück

A8.2 Auflegen des Werkstückes

A8.3 Bearbeitung

# FR - FRANCAIS

## Mode d'emploi

Cher client,

Nous vous remercions de votre confiance que vous nous portez avec l'achat de votre nouvelle machine JET. Ce manuel a été préparé pour l'opérateur de la **scie à ruban JET JWBS-14Q**. Son but, mis à part le fonctionnement de la machine, est de contribuer à la sécurité par l'application des procédés corrects d'utilisation et de maintenance. Avant de mettre l'appareil en marche, lire les consignes de sécurité et de maintenance dans leur intégralité. Pour obtenir une longévité et fiabilité maximale de votre scie, et pour contribuer à l'usage sûr de la machine, veuillez lire attentivement ce mode d'emploi et suivre les instructions.

### Table des Matières

<b>1. Déclaration de conformité</b>
<b>2. Prestations de garantie</b>
<b>3. Sécurité</b> Utilisation conforme Consignes de sécurité Risques
<b>4. Spécifications</b> Indications techniques Emission de bruit Emission de poussières Contenu de la livraison
<b>5. Transport et montage</b> Transport Montage Raccordement au réseau électr. Racc. Collecteur de poussières Mise en exploitation
<b>6. Fonctionnement de la machine</b>
<b>7. Réglages</b> Montage du ruban Réglage du circuit du ruban Réglage de la tension du ruban Réglage du guide-lame Pliage des bandes
<b>8. Entretien et inspection</b>
<b>9. Détecteur de pannes</b>
<b>10. Protection de l'environnement</b>
<b>11. Accessoires</b>
<b>12. «travailler sûrement»annex A</b>

### 1. Déclaration de conformité

Par le présent et sous notre responsabilité exclusive, nous déclarons que ce produit satisfait aux normes conformément aux lignes directrices indiquées page 2.

### 2. Prestations de garantie

Le vendeur garantit que le produit livré est exempt de défauts de matériel et de fabrication. La présente garantie ne s'applique pas aux défauts résultant d'une utilisation incorrecte directe ou indirecte, de l'inattention, d'un accident, d'une réparation, d'une maintenance ou d'un nettoyage insuffisant, ou encore de l'usure normale.

Il est possible de faire valoir des prétentions en garantie dans les 12 mois suivant la date de la vente (date de la facture). Toute autre prétention est exclue.

La présente garantie comprend toutes les obligations de garantie incombant au vendeur et remplace toutes les déclarations et conventions antérieures en termes de garanties.

Le délai de garantie s'applique pour une durée d'exploitation de huit heures par jour. Au-delà, le délai de garantie diminue proportionnellement au dépassement, mais pas en deçà de trois mois.

Le renvoi d'une marchandise faisant l'objet d'une réclamation requiert l'accord préalable exprès du vendeur et s'effectue aux frais et aux risques de l'acheteur.

Les prestations de garantie détaillées figurent dans les Conditions générales (CG). Ces dernières sont disponibles sur [www.jettools.com](http://www.jettools.com) ou peuvent être envoyées par la poste sur demande.

Le vendeur se réserve le droit de modifier à tout moment le produit et les accessoires.

### 3. Sécurité

#### 3.1 Utilisation conforme

Cette scie convient au sciage du bois et des dérivés du bois ainsi qu'au caoutchouc d'une dureté similaire. Le travail d'autres matériaux est interdit et ne peut être effectué que dans des cas spéciaux et après accord du fabricant de la machine.

La machine n'est pas conçue pour un sciage de matériaux métalliques.

La pièce doit se laisser poser et guider sans problème.

L'utilisation conforme implique le strict respect des instructions de service et de maintenance indiquées dans ce manuel.

La machine doit être exclusivement utilisée par des personnes familiarisées avec le fonctionnement, la maintenance et la remise en état, et qui sont informées des dangers correspondants.

L'âge requis par la loi est à respecter.

La machine ne doit être utilisée que si elle est techniquement en parfait état.

N'utiliser la machine que si tous les dispositifs de sécurité et de protection sont en place.

Toutes les directives relatives à la prévention des accidents ainsi que les consignes de sécurité doivent être respectées scrupuleusement.

En cas d'utilisation non-conforme de la machine, le fabricant décline toute responsabilité qui est en tel cas rejetée exclusivement sur l'utilisateur.

### 3.2 Consignes de sécurité

L'utilisation non-conforme d'une scie peut être très dangereux. C'est pourquoi vous devez lire attentivement ce mode d'emploi avant de monter ou d'utiliser votre appareil.

Conserver à proximité de la machine tous les documents fournis avec l'outillage (dans une pochette en plastique, à l'abri de la poussière, de l'huile et de l'humidité) et veiller à joindre cette documentation si vous cédez l'appareil.

Ne pas effectuer de modification à la machine. Utiliser les accessoires recommandés, des accessoires incorrects peuvent être dangereux.

Contrôler chaque jour avant d'utiliser la machine les dispositifs de protection et le fonctionnement impeccable.

En cas de défauts à la machine ou aux dispositifs de protection avertir les personnes compétentes et ne pas utiliser la machine. Déconnecter la machine du réseau.

Avant de mettre la machine en marche, retirer cravate, bagues, montres ou autres bijoux et retrousser les manches jusqu'aux coudes. Enlever tout vêtement flottant et nouer les cheveux longs.

Porter des chaussures de sécurité, surtout pas de tenue de loisirs ou de sandales.

Porter équipement de sécurité personnel pour travailler à la machine.

- des lunettes protectrices,
- une protection acoustique
- une masque anti poussier.

Ne porter **pas de gants**.

Pour manoeuvrer les lames porter des gants appropriés.

Utiliser des rallonges de table pour le travail des pièces longues.

Lire attentivement dans ce mode d'emploi le chapitre „travailler sûrement“.

Le temps de freinage de la machine ne doit pas dépasser 10 secondes.

Pour le sciage de bois ronds assurer que la pièce ne puisse pas tourner. Pour le sciage de pièces difficile à manoeuvrer, utiliser un support.

Abaisser le guide lame supérieur le plus près possible à la pièce à usiner.

Pour un travail sur la table en biais positionner le guide de précision de longueur en bas de la moitié de la table.

Bien tenir et guider les pièces pendant le travail.

Ne pas enlever les copeaux et les pièces usinées avant que la machine ne soit à l'arrêt.

Placer la machine de sorte à laisser un espace suffisant pour la manoeuvre et le guidage des pièces à usiner.

Veiller à un éclairage suffisant.

Placer la machine sur un sol stable et plat.

S'assurer que le câble d'alimentation ne gêne pas le travail ni risque de faire trébucher l'opérateur.

Conserver le sol autour de la machine propre, sans déchets, huile ou graisse.

Prêter grande attention à votre travail et rester concentré.

Eviter toute position corporelle anormale. Veiller à une position stable et garder un bon équilibre à tout moment.

Ne pas travailler sous l'influence de drogues, d'alcool ou de médicaments.

Eloigner toutes personnes incompetentes surtout des enfants de la machine.

Ne jamais laisser la machine en marche sans surveillance. Arrêter la machine avant de quitter la zone de travail.

Ne pas mettre la machine à proximité de liquides ou de gaz inflammables.

Préserver la machine de l'humidité et ne jamais la mettre sous la pluie.

Utiliser un collecteur de poussières afin d'éviter une production de poussières trop élevée. La poussière de bois est explosive et peut être nocive pour la santé. Les poussières de certains bois exotiques et de bois durs, tel que le hêtre et le chêne sont classés comme étant cancérigènes.

Retirer les clous et autres corps étrangers de la pièce avant de débiter l'usinage.

Pousser une pièce étroite en fin d'usinage à l'aide d'un poussoir.

En cas de non utilisation, le bâton ou la poignée du poussoir doit toujours être rangé contre la machine.

Se tenir aux spécifications concernant la dimension maximale ou minimale de la pièce à usiner.

Ne pas enlever les copeaux et les pièces usinées avant que la machine ne soit à l'arrêt.

Ne pas se mettre sur la machine.

Tous travaux de branchement et de réparation sur l'installation électrique doivent être exécutés uniquement par un électricien qualifié.

Remplacer immédiatement tout câble endommagé ou usé.

Faire tous les travaux de réglage ou de maintenance seulement après avoir débranché la machine du réseau.

Remplacer immédiatement une lame endommagée.

### 3.3 Risques

Même en respectant les directives et les consignes de sécurité existe les risques suivants.

Danger de blessures par une lame en travaillant sans dispositif de protection.

Danger par rupture de la lame.

Danger de pièces éjectées.

Risque de santé par poussières de bois, copeaux et bruit.

Porter équipement de sécurité personnel tel que lunettes, cache visage pour travailler à la machine. Utiliser un collecteur de poussières!

Danger par câble électrique endommagé, usé ou mal branché.



## 4. Spécifications JWBS-14

### 4.1 Indications techniques

Diamètre de rouleau	355 mm
Largeur de coupe	max 350 mm
Hauteur de coupe	max 200 mm
Longueur de lame	2560 mm
Largeur de lame	3 - 25 mm
Épaisseur de lame	0,4 – 0,7 mm
Vitesse du ruban	800 m/min
Dimension de table	385x500 mm
Inclinaison de table	-10° bis 45°
Hauteur de table	1055mm
Buse d'aspiration	100mm
Dimensions de la machine (Lxlxh)	830x785x1750mm
Poids net	93 kg
Voltage	230V ~1/N/PE 50Hz
Puissance	0,5 kW (0,75 CV) S1
Courant électrique	3,5 A
Raccordement	(H07RN-F)3x1,5mm <sup>2</sup>
Fusible du secteur élect.	10A

### 4.2 Emission de bruit

Indications selon EN 1807  
(incertitude de mesure 4 dB)

Pièce en hêtre:

l=30mm, L=1500mm, humidité 8,5%

Puissance sonore

(selon EN ISO 3746):

Marche à vide L<sub>WA</sub> 82,5 dB(A)

Usinage L<sub>WA</sub> 93,6 dB(A)

Niveau de pression sonore

(selon EN ISO 11202):

Marche à vide L<sub>pA</sub> 74,7 dB(A)

Usinage L<sub>pA</sub> 87,2 dB(A)

Les indications données sont des niveaux de bruit et ne sont pas forcément les niveaux pour un travail sûr.

Bien qu'il existe un rapport entre les niveaux d'émission et la nuisance nous ne pouvons pas savoir si des précautions supplémentaires sont nécessaires.

Le risque de nuisance à votre zone de travail dépend de différents points comme la durée du travail, la place et l'entourage, le bruit et le nombre des autres machines. De plus le niveau toléré peut varier dans les différents pays.

Cette information est tout de même importante, ainsi l'utilisateur peut estimer les dangers et les risques possibles.

### 4.3 Emission de poussière

L'émission de poussière de la scie à ruban JWBS-14Q a été évaluée.

A une vitesse d'air de 20 m/s à la buse d'aspiration d'un diamètre 100mm:

Pression diminuée 1250 Pa

Volume 565 m<sup>3</sup>/h

Ainsi un paramètre de concentration de 2 mg/m<sup>3</sup> est assuré.

### 4.4 Contenu de la livraison

Table de la machine  
Guide de précision de longueur  
Rails fixes  
Dispositif de coupe parallèle  
Guide d'onglet  
Manchon d'aspiration 100mm  
Accessoires pour le montage  
Lame de scie 10 mm  
Mode d'emploi  
Liste pièces de rechange

## 5. Transport et mise en exploitation

### 5.1. Transport

La machine est livrée dans une caisse en carton.

Pour le transport utiliser un chariot élévateur.

Transporter la machine de manière qu'elle ne puisse pas tomber.

Effectuer le montage de la machine dans un local fermé ou un atelier respectant les conditions de menuiserie.

Placer la machine sur une surface stable et plane. La machine peut aussi être fixée à la surface.

Pour des raisons techniques de l'emballage la machine n'est pas complètement montée à la livraison.

### 5.2 Montage

Déballer la machine. Avertir JET immédiatement si vous constatez des pièces endommagées par le transport et ne monter pas la machine.

Enlever la protection antirouille sur la table avec un dissolvant.

Monter la table sur les bascules et la fixer en serrant les deux vis à tête hexagonales (A, Fig 1).

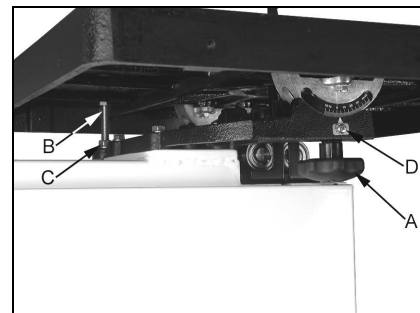


Fig 1

Mener la table en angle droit au ruban et si nécessaire repositionner la butée de la table (B, Fig 1) et l'indicateur des degrés (D, Fig 1).

Fixer les rails fixes (G, Fig 2) à la table avec 4 vis borgnes, 4 rondelles d'arrêt et 4 rondelles plates, et les positionner parallèle à la surface de la table.

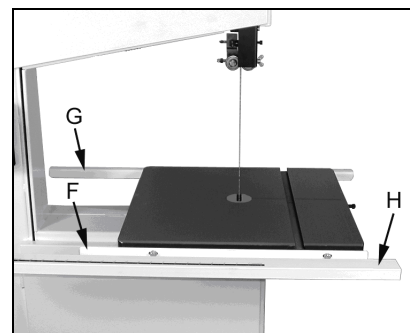


Fig 2

Monter le guide (H, Fig 2) avec 5 vis borgnes, 5 rondelles d'arrêt et 5 rondelles plates.

Fixer la butée de précision (B, Fig 3) et positionner le guide de précision (A, Fig 3) parallèle à la table.

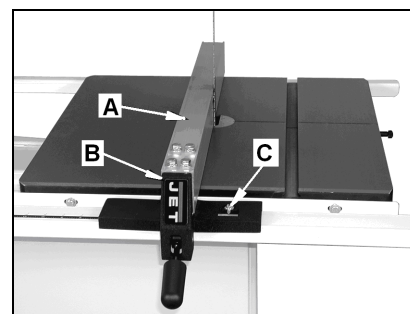
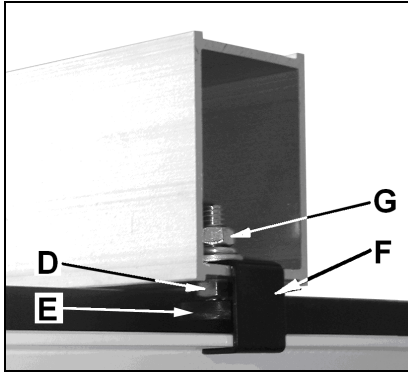


Fig 3

Mener la butée de précision au ruban et mettre la graduation (C, Fig 3) à zéro.



**Fig 4**

Régler la butée parallèle par les rails fixes et l'étau à l'arrière (E, Fig 4) de façon qu'elle garde une distance d'env. 1mm à la table.

### 5.2 Raccordement au réseau électr.

Le raccordement ainsi que les rallonges utilisées doivent correspondre aux instructions.

Le voltage et la fréquence doivent être conforme aux données inscrites sur la machine.

Le fusible de secteur électrique doit avoir 16A.

Utiliser pour le raccordement des câbles H07RN-F.

Tous travaux de branchement et de réparation sur l'installation électrique doivent être exécutés uniquement par un électricien qualifié.

### 5.3 Racc. collecteur de poussières

Avant la mise en exploitation connecter la machine à un collecteur de poussières de manière que le collecteur se mette en marche automatiquement avec votre scie.

Vitesse minimale de l'aspiration à la buse 20 m/s.

Utiliser que des tuyaux d'aspiration de la qualité „difficile inflammable“ et intégrer les tuyaux dans la mise à la terre de la machine.

### 5.4 Mise en exploitation

Mettre la machine en route avec le bouton vert. Arrêter la machine avec le bouton rouge.

## 6. Fonctionnement de la machine

### Position de travail:

Debout devant la machine en direction de la coupe.

### Manoeuvrer les pièces:

Laisser les mains en dehors de la zone de coupe et mener la pièce à usiner du plat de la main. Mener la pièce en direction de la coupe prévue vers la lame et en tournant guider la coupe selon dessin. Faire un travail régulier, sans interruption de la coupe. Ne pas retirer la pièce à usiner au milieu de la coupe, car ainsi le ruban pourrait dévier du circuit.

Poser des pièces trop longues sur un support roulant.

### Attention:

Toujours travailler avec des lames bien coupantes!

Près de la coupe mener la pièce avec un poussoir.

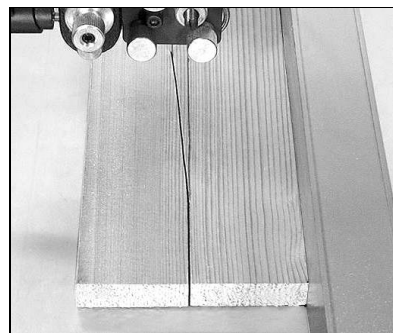
Positionner le guide ruban supérieur à env. 0,5 cm au-dessus de la pièce à usiner.

Pour un travail sûr utiliser pour des petites pièces une plaque coulissante. Pour le bois rond utiliser un dispositif évitant que le bois puisse tourner pendant la coupe.

### Déviations du ruban:

Lors de coupes parallèles et de coupes séparantes, il n'est pas rare que le circuit du ruban dévie.

Ainsi le circuit du ruban ne suit pas la ligne de coupe souhaitée (Fig 5).



**Fig 5**

Il peut y avoir plusieurs causes à la déviation du ruban.

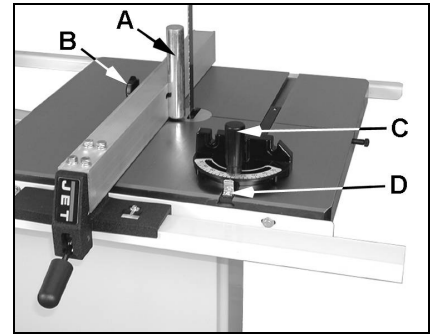
- Le ruban suit le sens des fibres
- Le ruban est émoussé
- Le circuit du ruban est mal réglé.
- La tension du ruban est trop faible.

- La denture du ruban est asymétrique

### Dispositif pour coupes parallèles

Le dispositif pour coupes parallèles permet de conduire la pièce selon la coupe.

Monter la butée (A, Fig 6) avec la vis de la poignée étoile (B) à la hauteur de la denture de la lame de scie



**Fig 6**

### Guide d'onglet

Le guide d'onglet est introduit dans la rainure en T de la table.

Si le montage est imprécis, desserrer la vis moletée (C) et ajuster la graduation (D)

### Pour l'utilisation conforme de la machine voir aussi l'annexe A "travailler sûrement" (dernière page de ce mode d'emploi)

- A.1.: Effectuer une coupe haute
- A.2.: Effectuer une coupe en biais
- A.3.: Coupe de chevilles
- A.4.: Coupe d'onglet
- A.5.: Coupe échancrée
- A.6.: Coupe en forme d'arche
- A.7.: Couper à l'aide d'un patron
- A.8.: La coupe d'un cercle
  - A8.1 Réglage sans pièce
  - A8.2 Positionner la pièce
  - A8.3 Usinage

## 7. Réglages

### Attention

Faire tous les travaux de maintenance ou de réglage après avoir débranché la machine du réseau.

### 7.1 Montage du ruban

Le ruban doit correspondre aux indications techniques mentionnées.

Utiliser un ruban de scie adéquat, qui convient au matériel à couper et qui est adaptée au type de travail à effectuer.

Pour les coupes longitudinales hautes  
- un ruban large (par ex 16 mm) à denture grossière

Pour des coupes courbes et étroites  
- un ruban étroit (par ex 3 mm)

Contrôler le ruban avant le montage (déchirure, dents endommagées, déformation). Ne pas utiliser un ruban endommagé.

Monter le ruban avec les dents en direction de la coupe (vers le bas).

Pour ce travail toujours porter des gants appropriés.

Avant le montage déconnecter la machine du réseau.

**Démontage du ruban de scie:**  
Ouvrir le couvercle du ruban.

Retirer la goupille conique (A, Fig 7) et l'insertion de table.

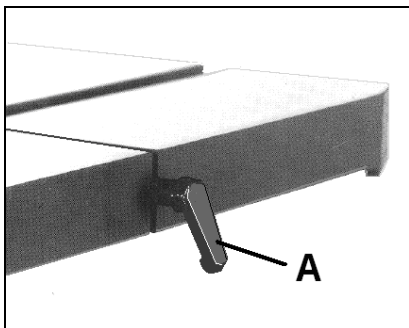


Fig 7

Relâcher la tension de la bande en basculant le levier de serrage rapide du ruban de scie et en faisant tourner le volant de réglage de la tension du ruban qui se trouve sur la partie supérieure de la machine.

### 7.2 Réglage du circuit du ruban

Jamais faire de réglage si la machine est encore en marche.

Observer pendant le montage la position correcte du ruban sur les enrouleurs.

Le ruban doit être au milieu de la couche en caoutchouc (Fig 8).

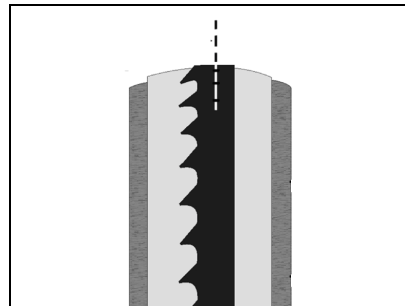


Fig 8

Avec le volant au verso de la machine ajuster le circuit correct du ruban.

Après le montage du ruban vérifier que la tension du ruban soit suffisante. Une indication à ce propos se trouve à l'arrière de la machine.

### 7.3 Réglage de la tension du ruban

#### Levier de serrage rapide du ruban

Positionner le levier de serrage rapide du ruban en position : tension.

Tendre le ruban avec le volant en haute de la machine.

Il faut toujours tendre suffisamment le ruban.

Un tableau indicatif à ce sujet se trouve sur l'arrière de la machine.

#### Remarque:

Lorsque la machine n'est pas en service, il est facile d'abaisser ce volant pour détendre le ruban. On obtient ainsi une plus grande longévité du ruban.

Pour changer le ruban on peut de cette manière le détendre rapidement.

### 7.4 Réglage du guide lame

Jamais faire de réglage si la machine est encore en marche.

Ajuster le guidage en profondeur de façon que la distance du pied de dent aux enrouleurs fasse env. 2 mm, positionner le rouleau inférieure à une distance de 1 mm de la bande (Fig 9).

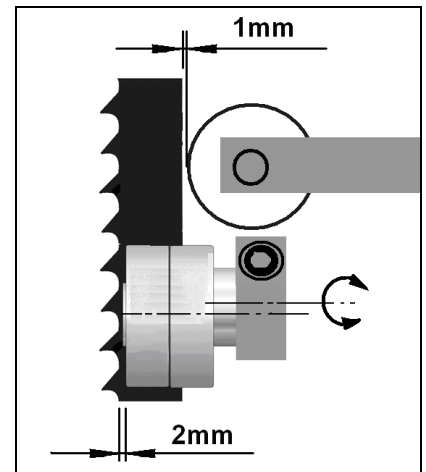


Fig 9

Ajuster les enrouleurs situés sur le côté de manière qu'ils tournent légèrement pendant l'utilisation de la machine. Faire attention que la bande ne se déplace pas vers le côté.

#### Contrôle du circuit de la bande:

Tourner les enrouleurs à la main dans le sens de la rotation et vérifier si le réglage est correct.

Mettre la machine en route avec précaution.

#### Préparation de la coupe:

Positionner le guide-ruban supérieur à env. 0,5 cm au-dessus de la pièce à usiner (Fig 10).

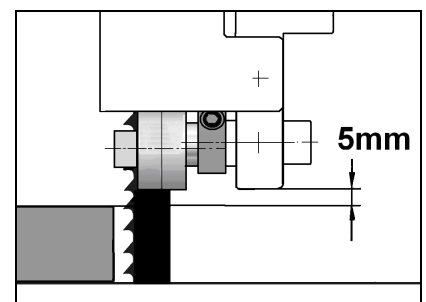


Fig 10

Pour votre sécurité, abaisser toujours le guide-ruban supérieur aussi près que possible de la pièce à usiner.

### 7.5 Pliage des bandes

Tenir la bande avec une main de façon qu'elle pende à la verticale vers le sol, placer un pied sur l'autre bout de la bande, tourner la main de 360° en la menant également vers le sol.

## 8. Entretien et inspection

### Attention

Faire tous les travaux de maintenance, réglage ou nettoyage après avoir débranché la machine du réseau!

Tous travaux de branchement et de réparation sur l'installation électrique doivent être exécutés uniquement par un électricien qualifié.

Nettoyer la machine régulièrement.

Vérifier chaque jour le fonctionnement impeccable du collecteur de poussières.

Réinstaller les dispositifs de protection immédiatement.

Remplacer immédiatement des dispositifs de protection endommagés.

Contrôler régulièrement la tension du ruban et relâcher la tension de la lame si le temps d'arrêt est long.

Contrôler régulièrement le réglage du guide lame.

### Enrouleurs:

Nettoyer régulièrement la couche en caoutchouc sur les enrouleurs.

Graisser régulièrement le support du volant.

### Entraînement:

Contrôler régulièrement le voltage de la commande à courroie.

### Insertion de table:

Changer une insertion de table dont la voie de scie est effilochée.

L'insertion de table (Fig 12) doit se composer de matériau facilement coupable (p. ex. du bois, du plastique, de l'aluminium).

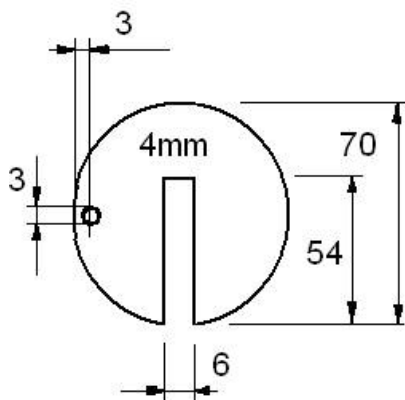


Fig 11

JET Numéro d'article: 135010

Prendre une insertion qui ne dépasse pas la table.

### Rubans:

Les travaux de maintenance et de réglage des rubans doivent être effectués par des personnes familiarisées à ce travail.

Utiliser que des rubans bien coupants.

## 9. Détecteur de pannes

### Moteur ne se met pas en route

\*Pas de courant-  
Vérifier le voltage.

\*Défaut au moteur, bouton ou câble-  
Contacter un électricien qualifié.

### Vibration violente de la machine

\*La machine n'est pas sur un sol plat-  
Repositionner la machine.

\*Enrouleurs salent-  
Nettoyer la couche en caoutchouc.

\*Ruban déchiré-  
Changer le ruban.

### Equerre de coupe pas 90°

\*Mauvais réglage du guide  
d'inclinaison  
\*Mauvais réglage du guide lame

### Résultat du sciage insuffisant

\*Ruban pas adapté  
\*Ruban résineux  
\*Ruban usé  
\*Mauvais réglage du guide lame  
\*Tension du ruban insuffisante  
\*Pièce à usiner pas homogène  
\*Trop de pression sur le travail-  
Jamais forcer sur le travail.

## 10. Protection de l'environnement

Protégez l'environnement !

Votre appareil comprend plusieurs matières premières différentes et recyclables. Pour éliminer l'appareil usagé, veuillez l'apporter dans un centre spécialisé de recyclage.

## 11. Accessoires

Pour diverses lames voir liste de prix JET.

### Article 709207

Servante pliable à rouleaux

## 12. Travailler sûrement

Voir annexe A (dernière page de ce mode d'emploi)

A.1.: Effectuer une coupe haute

A.2.: Effectuer une coupe en biais

A.3.: Coupe de chevilles

A.4.: Coupe d'onglet

A.5.: Coupe échancrée

A.6.: Coupe en forme d'arche

A.7.: Couper à l'aide d'un patron

A.8.: La coupe d'un cercle

A8.1 Réglage sans pièce

A8.2 Positionner la pièce

A8.3 Usinage